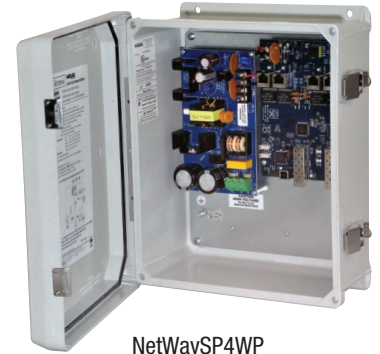


# NetWaySP4WP

## 4-port PoE+ Hardened Switch

### Description

Altronix NetWaySP4WP Outdoor PoE+ Hardened Switch provides two (2) 1Gb SFP (Fiber) ports and four (4) PoE+ (30W) or two (2) Hi-PoE (60W) ports, passing data for PoE/PoE+/Hi-PoE compliant devices. Cameras/edge devices may be located up to 100m from the unit. Embedded LINQ Technology allows you to monitor, control and report power and diagnostics from anywhere.



NetWaySP4WP

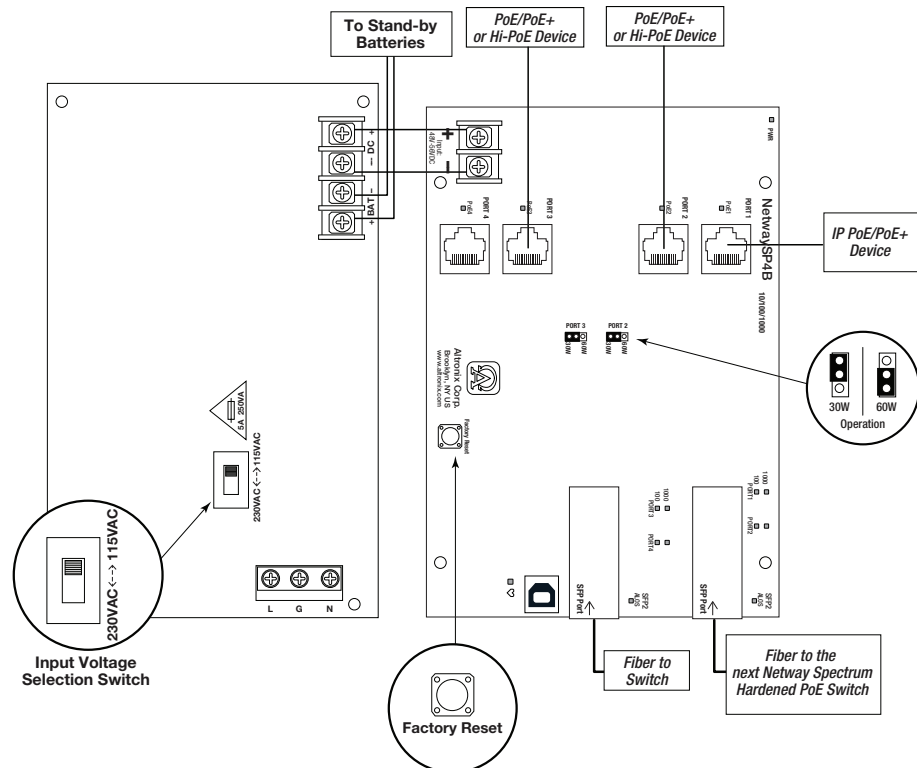
### Key Features

- Two (2) Gigabit SFP ports.
- 120W total power:
  - Four (4) PoE/PoE+ (up to 30W) ports or two (2) Hi-PoE (60W) ports.
- Two (2) 10/100/1000 Mbps ports.
- Two (2) 10/100 Mbps ports.
- IEEE 802.3at (30W), IEEE 802.3af (15W) compliant, or Hi-PoE (60W).
- PoE activity LED indicators.
- UL Listed in the U.S. and Canada.
- CE Approved.
- Automatic switch over to stand-by battery when AC fails.
- Lifetime Warranty / Made in the U.S.A.

#### Other products in NetWaySP4WP Series:

- NetWaySP4WPX - Larger NEMA 4 enclosure which accommodates stand-by batteries.
- NetWaySP4X - Indoor version.
- NetWaySP4WPN - PoE+ switch in NEMA4 enclosure.
- NetWaySP4PL - Backplane version.
- NetWaySP4B - 4-Port PoE+ switch (board only).
- PoE201- 120W power supply/charger.

### Typical Application



# NetWaySP4WP

## 4-port PoE+ Hardened Switch

### Specifications

#### Input

Voltage	115VAC, 60Hz, 2.5A or 230VAC, 50/60Hz, 1.3A.
Fusing	5A/250V.

#### Power Output

Maximum Power	Four (4) PoE+ (30W) ports or two (2) Hi-PoE (60W) ports. IEEE 802.3at (30W) and IEEE 802.3af (15W) compliant. 120W total power. Integral surge protection.
---------------	---

**Fiber Ports:** Two (2) Gigabit SFP ports.

#### Back-up Battery (not included)

Type	Sealed lead acid or gel type.
Failover	Upon AC loss, instantaneous.

#### Indicators (LED)

- Individual PoE On LEDs for each port.
- Individual IP Link status, 10/100Base-T/active LEDs for each port.
- ALOS LED indicates fiber connection for SFP port.
- Heartbeat LED indicates proper operation of the unit.

#### LINQ Technology:

- Remote network management allows for camera/device reset and monitoring.
- Provides local and/or remote access to critical information via LAN/WAN.
- Email and trap message notifications report real-time diagnostics.
- Event log tracks history.

#### Agency Listings

UL/cUL	UL60950-1 (Information Technology Equipment). UL60950-22 (Information Technology Equipment to be installed Outdoors).
CE European Conformity.	

#### Physical and Environmental

**Enclosure Dimensions (H x W x D approx.):**  
13.31" x 11.31" x 5.59" (338.1mm x 287.3mm x 142mm).

#### Product Weight / Shipping (approx.)

Product Weight:	10.5 lbs. (4.76 kg).
Shipping Weight:	11.9 lbs. (5.4 kg).

#### Temperature

Operating:	60W: -40°C to 75°C (-40°F to 167°F). 75W: -40°C to 70°C (-40°F to 158°F). 100W: -40°C to 55°C (-40°F to 131°F). 120W: -40°C to 45°C (-40°F to 113°F).
------------	--

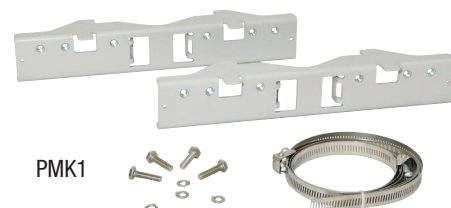
**Storage:** -40°C to 85°C (-40°F to 185°F).

Relative Humidity:	85% +/-5%
BTU/Hr. (approx.):	61 BTU/Hr.

### Accessories

#### PMK1 Pole Mount Kit (order separately)

PMK1 pole mount kit is designed to simplify installation of outdoor units.  
It accommodates 2" - 8" (diameter) poles.



PMK1