

- X26 = RS232 (RS232 interface, 9 pol. male)
- X27 = USB Device (Service interface (system configuration only))
- X28 = SD Card (Service interface (fleet configuration or firmware update))
- X29 = USB Host (Additional external equipment)
- X30 = LAN (RJ-45/ 10-100Mbit Ethernet interface)
- S1 = Key switch (maintenance only)
- BLUE LED (1) = Power indicator
- YELLOW LED (2) = Video signal lost indicator
- GREEN LED (3) = Video signal obstruction indicator
- RED LED (4) = Error indicator

- X1-14 (BNC)**
- X1 = Video IN1
 - X2 = Video IN2
 - X3 = Video IN3
 - X4 = Video IN4
 - X5 = Video IN5
 - X6 = Video IN6
 - X7 = Video IN7
 - X8 = Video IN8
 - X9 = Video IN9
 - X10 = Video IN10
 - X11 = Video IN11
 - X12 = Video IN12
 - X13 = Video OUT1
 - X14 = Video OUT2

- X16 (Power IN)**
- PIN1 = +12VDC up to 48VDC
 - PIN2 = GND
 - PIN3 = Cabin power up signal (+12VDC up to 48VDC)
 - PIN4 = N.C.
- X21 (Power OUT)**
- PIN1 = +12VDC max 1.5A
 - PIN2 = GND
 - PIN3 = GND
 - PIN4 = +12VDC max 1.5A

- X17**
- PIN1 = IBIS WBED or J1708 TRX+
 - PIN2 = IBIS WBEM
 - PIN3 = IBIS WBSD or J1708 TRX-
 - PIN4 = IBIS WBSM
- X22**
- PIN1 = RS422 RXD- or +12VDC
 - PIN2 = RS422 RXD+
 - PIN3 = RS422 TXD-
 - PIN4 = RS422 TXD+

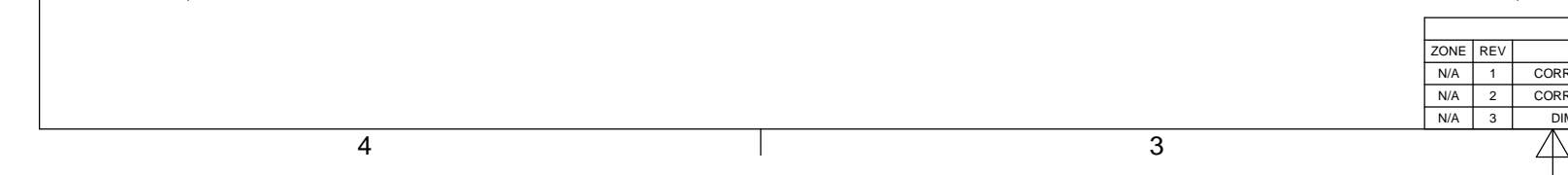
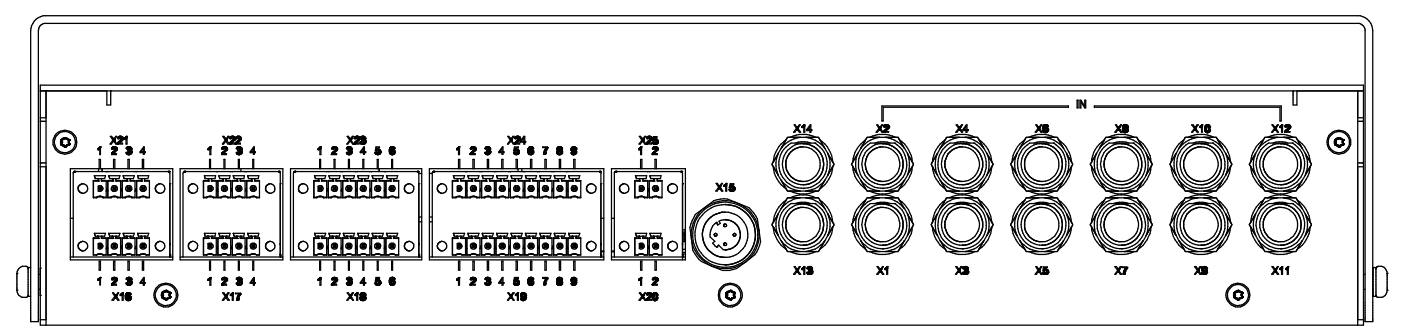
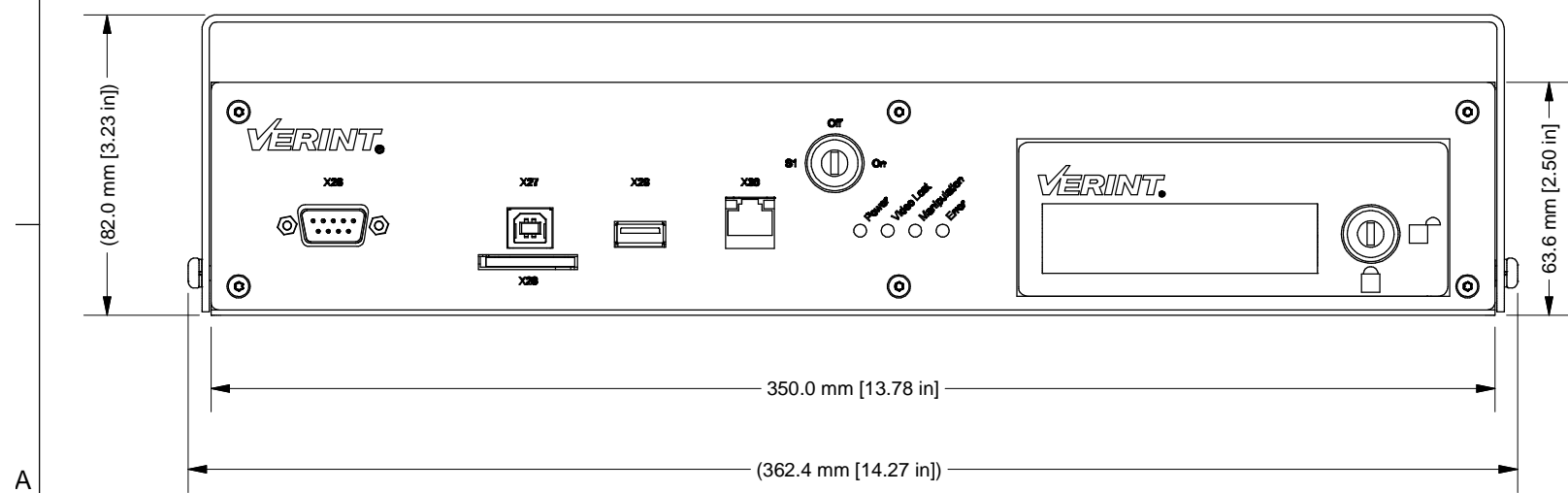
- X18**
- PIN1 = LED OUT1
 - PIN2 = LED OUT2
 - PIN3 = GND
 - PIN4 = LED OUT3
 - PIN5 = LED OUT4
 - PIN6 = GND
- X23**
- PIN1 = Relay1 (center contact)
 - PIN2 = Relay1 (normally open contact)
 - PIN3 = Relay1 (normally closed contact)
 - PIN4 = Relay2 (center contact)
 - PIN5 = Relay2 (normally open contact)
 - PIN6 = Relay2 (normally closed contact)

- X19**
- PIN1 = Alarm IN1
 - PIN2 = Alarm IN2
 - PIN3 = GND
 - PIN4 = Alarm IN3
 - PIN5 = Alarm IN4
 - PIN6 = GND
 - PIN7 = Alarm IN5
 - PIN8 = Alarm IN6
 - PIN9 = GND

- X24**
- PIN1 = Alarm IN7
 - PIN2 = Alarm IN8
 - PIN3 = GND
 - PIN4 = Alarm IN9
 - PIN5 = Alarm IN10
 - PIN6 = GND
 - PIN7 = Alarm IN11
 - PIN8 = Alarm IN12
 - PIN9 = GND

- X20**
- PIN1 = Audio1 signal
 - PIN2 = Audio1 GND
- X25**
- PIN1 = Audio2 signal
 - PIN2 = Audio2 GND

- X15 (LAN, M12, 10-100MBit Ethernet)**
- PIN1 = TD+
 - PIN2 = RD+
 - PIN3 = TD-
 - PIN4 = RD-



UNLESS OTHERWISE SPECIFIED DIMENSIONS ARE IN mm. TOLERANCES:

ANGULAR: +/-0.5 DEG
 BEND: +/-0.25
 ONE PLACE DECIMAL: +/-0.4
 TWO PLACE DECIMAL: +/-0.15

MATERIAL: -
 FINISH: -

PROPRIETARY AND CONFIDENTIAL. THE INFORMATION CONTAINED IN THIS DRAWING IS THE SOLE PROPERTY OF VERINT VIDEO SOLUTIONS. ANY REPRODUCTION IN PART OR AS A WHOLE WITHOUT THE WRITTEN PERMISSION OF VERINT VIDEO SOLUTIONS IS PROHIBITED.

DRAWN: S.COSSETTE
 CHECKED: S.COSSETTE
 DATE: 2/4/2008

		TITLE	
		CUSTOMER DRAWING mDVR-12S	
SIZE	DWG NO	REV	
B	18-453-0098	3	
PROJECT:	SCALE:	SHEET	
mDVR-12SX	1:2	1 OF 1	

REVISION HISTORY				
ZONE	REV	DESCRIPTION	DATE	APPROVED
N/A	1	CORRECTION OF PIN-OUT	4/24/2008	S.COSSETTE
N/A	2	CORRECTION OF PIN-OUT	5/8/2008	S.COSSETTE
N/A	3	DIMENSIONS ADDED	5/15/2008	S.COSSETTE