

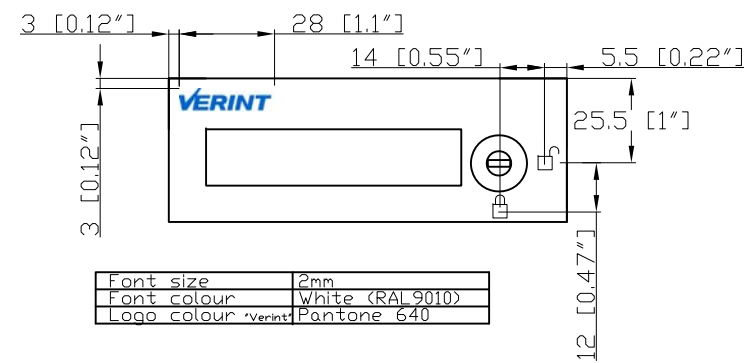
Article no. Index

160GB HDD/V2 = RP78205160; R - Serie
 250GB HDD/V2 = RP78202260; R - Serie

Tolerances

Distance 0.02 - 0.24 inch +/- 0.0039 inch
 Distance 0.24 - 1.18 inch +/- 0.0079 inch
 Distance 1.18 - 4.72 inch +/- 0.0118 inch
 Distance 4.72 - 15.75 inch +/- 0.0197 inch
 Distance 15.75 - 39.37 inch +/- 0.0315 inch

Printing:



Font size	2mm
Font colour	White (RAL 9010)
Logo colour	Verint Pantone 640

 POWERING ACTIONABLE INTELLIGENCE™		Scale without Tolerance	DIN 6/1	Scale: NONE	Weight: 1.54 lbs			
					Article number: see index			
		Date	Name	<h1 style="color: magenta;">HARDDISK_V2</h1>				
		Prep. EHLERS	21.04.06					
		Appr. HINZ	24.04.06					
05	article no changed	21.04.09	AHI	<table border="1" style="width: 100%;"> <tr> <td>Page</td> <td>1 of 1</td> </tr> </table>		Page	1 of 1	
Page	1 of 1							
04	article no changed	17.05.08	KXS					
03	US measures, Dwg No, Name	01.11.07	KXS					
02	printing key lock	15.08.06	AHI					
01	first release	21.04.06	SE					
Rev.	Change	Date	Name	<table border="1" style="width: 100%;"> <tr> <td>Verint Systems GmbH</td> <td>Product Management</td> <td>Sönke Ehlers</td> </tr> </table>		Verint Systems GmbH	Product Management	Sönke Ehlers
Verint Systems GmbH	Product Management	Sönke Ehlers						