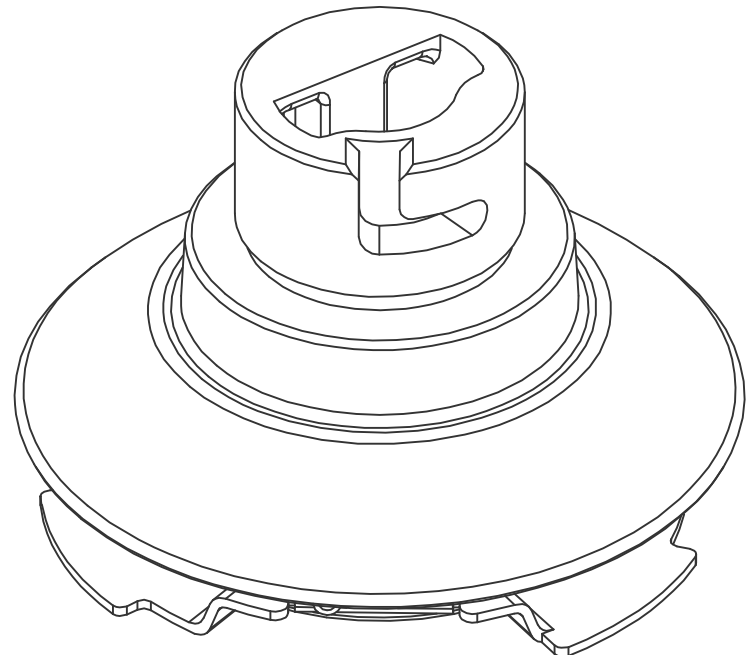
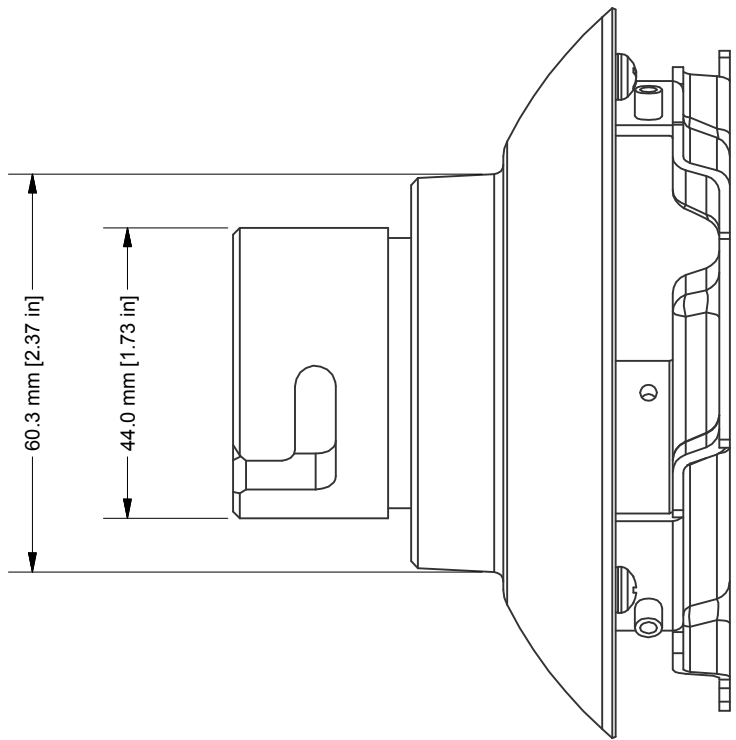
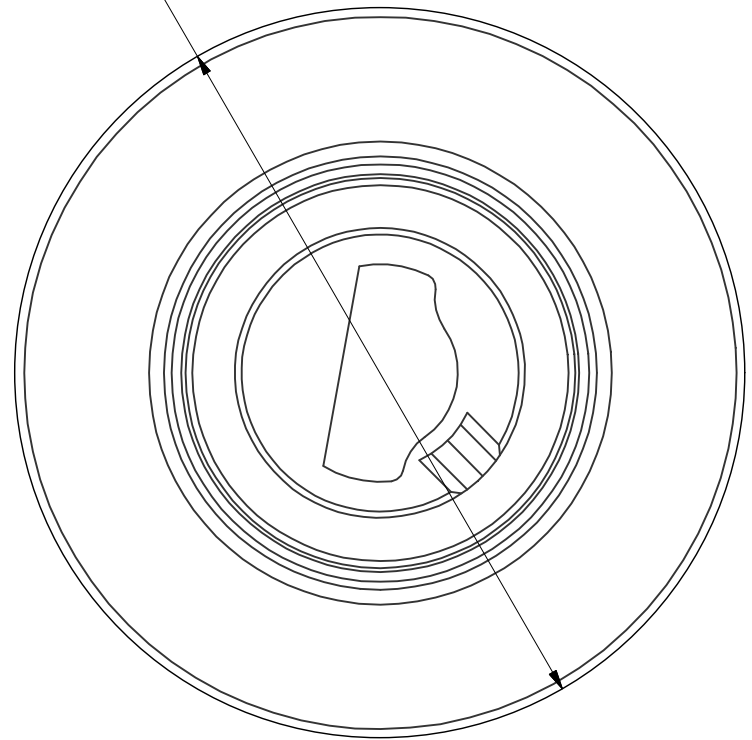
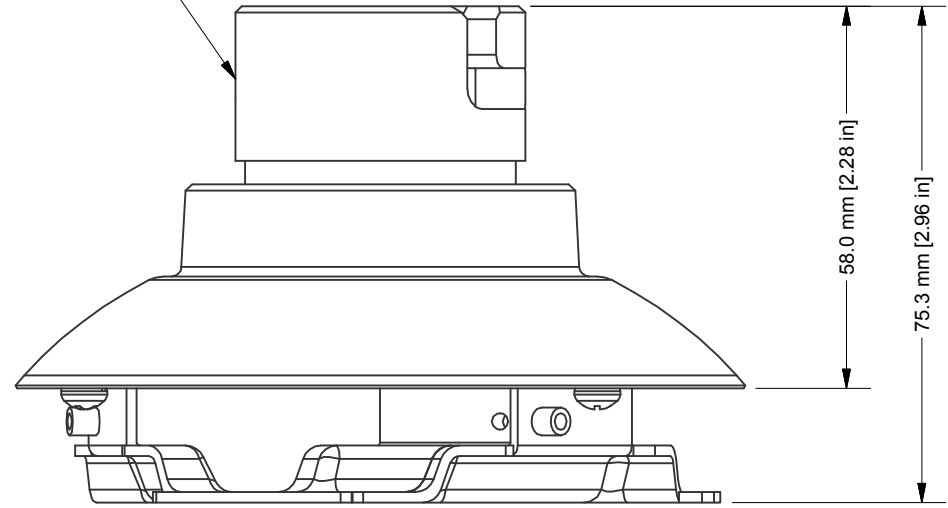


Ø110.7 mm [4.36 in]



QUARTER-TURN ADAPTER PLUG



ENCLOSURE MATERIAL: ADC12 (ALUMINUM ALLOY)			
FINISH: -			
DRAWN A.PICARD		TITLE Customer drawing: Pendant Mount Head Junction for the V5620PTZ IP Camera	
5/2/2013		SIZE B	REV 000
WEIGHT (NET/PACKAGED): 0.26/0.39 kg [0.57/0.86 lb]		SCALE: NTS	SHEET 1 OF 1

RoHS
COMPLIANT
2011 / 65 / EU

REACH
REGULATION (EC)
No 1907/2006

PROPRIETARY AND CONFIDENTIAL. THE INFORMATION CONTAINED IN THIS DRAWING IS THE SOLE PROPERTY OF VERINT VIDEO SYSTEM, INC. ANY REPRODUCTION IN PART OR AS A WHOLE WITHOUT THE WRITTEN PERMISSION OF VERINT VIDEO SOLUTIONS IS PROHIBITED.

