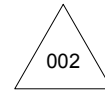
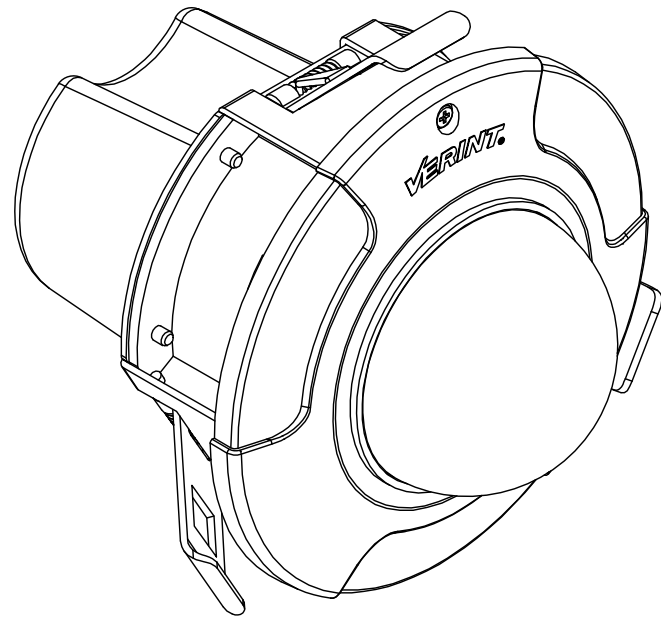
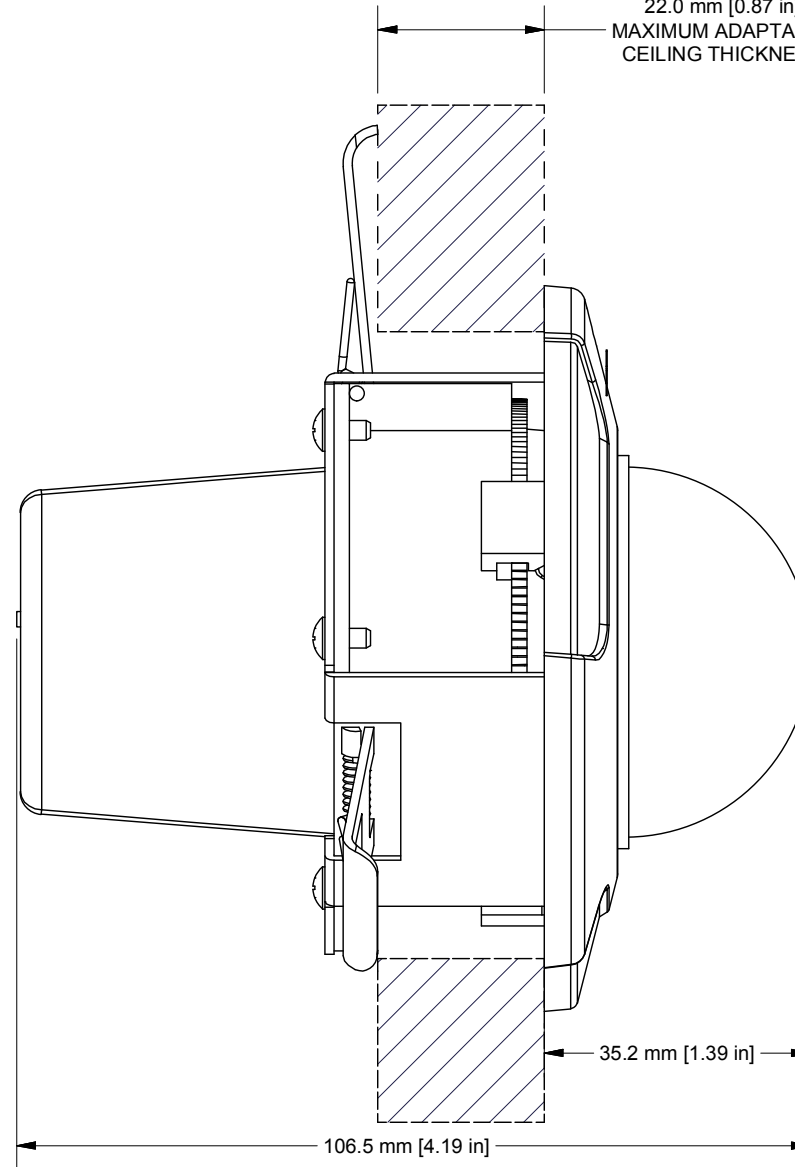


REVISION HISTORY				
ZONE	REV	DESCRIPTION	DATE	APPROVED
C2	001	ADD MAX CEILING THK	MARCH 7, 2013	S.RICHARD
B4	001	ADD REPRESENTATION INSCRIPTION	MARCH 7, 2013	S.RICHARD
A2	001	ADD ROHS AND REACH LOGO	MARCH 7, 2013	S.RICHARD
C2	002	CHANGE THK OF CEILING FROM 25.9mm TO 22mm	MARCH 26, 2013	S.RICHARD

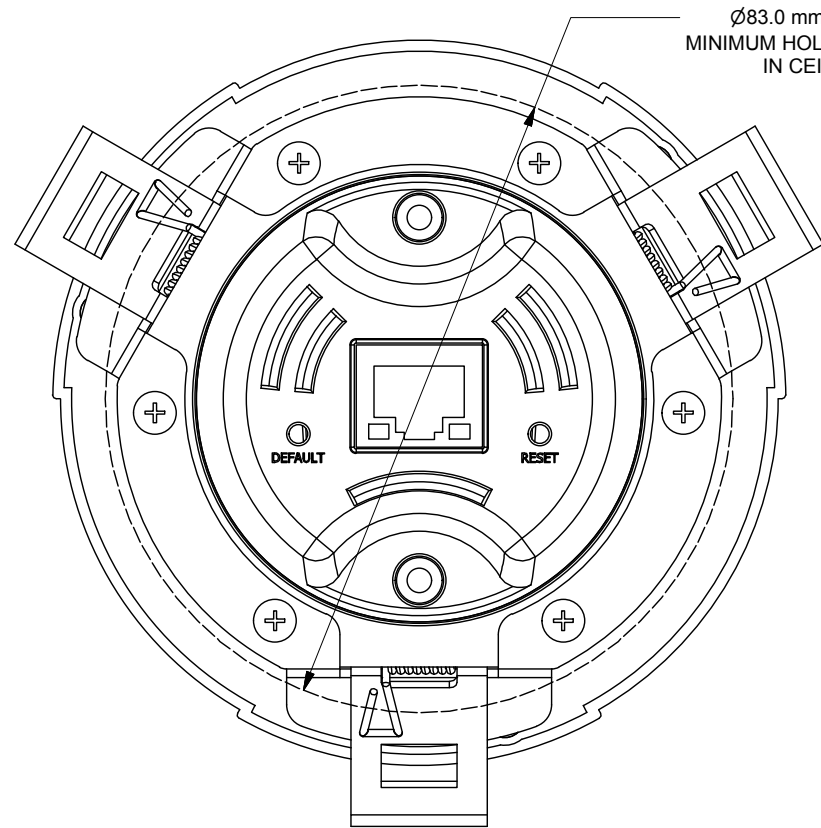
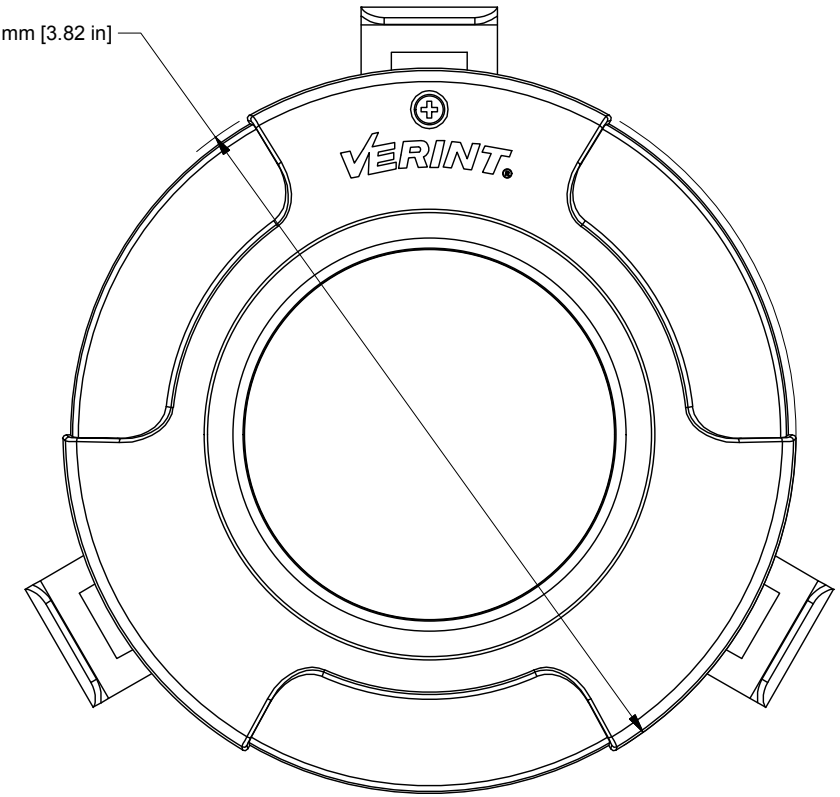





22.0 mm [0.87 in]
MAXIMUM ADAPTABLE
CEILING THICKNESS

Ø83.0 mm [3.27 in]
MINIMUM HOLE DIAMETER
IN CEILING



Ø97.0 mm [3.82 in]



ENCLOSURE MATERIAL: ABS-PC FINISH: WHITE		 TITLE CUSTOMER DWG: V3320RD IP CAM			
DRAWN S.RICHARD					DATE (MMDD/YYYY) 2/26/2013
 RoHS COMPLIANT 2011 / 65 / EU  REACH REGULATION (EC) No 1907/2006		WEIGHT: 0.3 kg [0.6 lb]		SCALE: N.T.S.	SHEET 1 OF 1

PROPRIETARY AND CONFIDENTIAL. THE INFORMATION CONTAINED IN THIS DRAWING IS THE SOLE PROPERTY OF VERINT VIDEO SYSTEM, INC. ANY REPRODUCTION IN PART OR AS A WHOLE WITHOUT THE WRITTEN PERMISSION OF VERINT VIDEO SOLUTIONS IS PROHIBITED.

