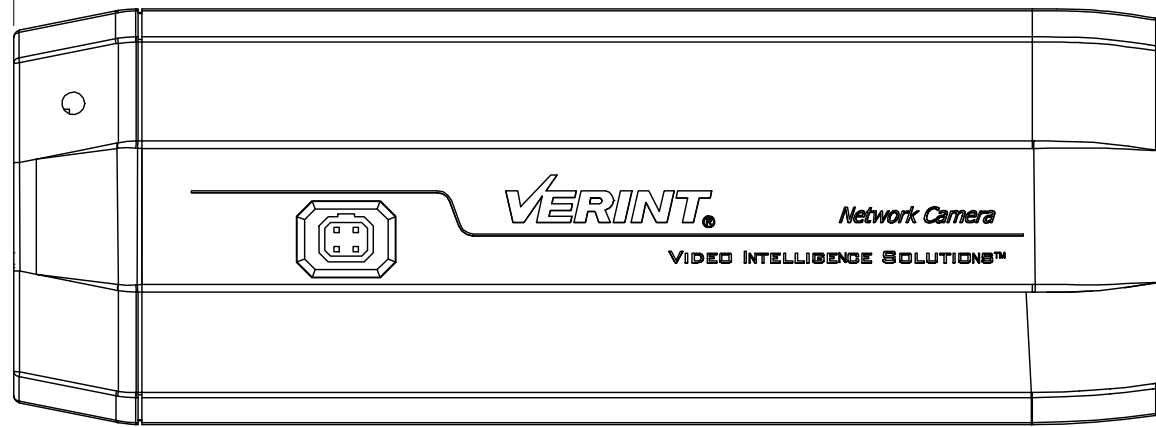
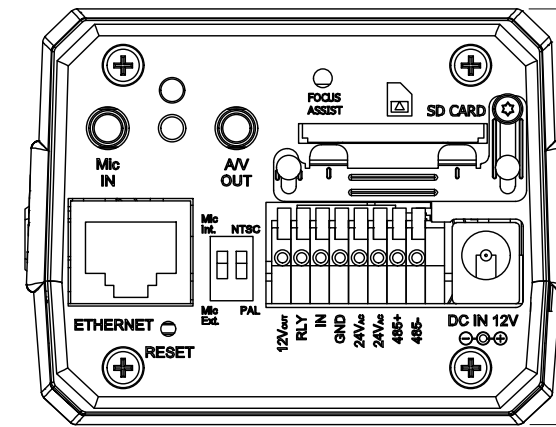


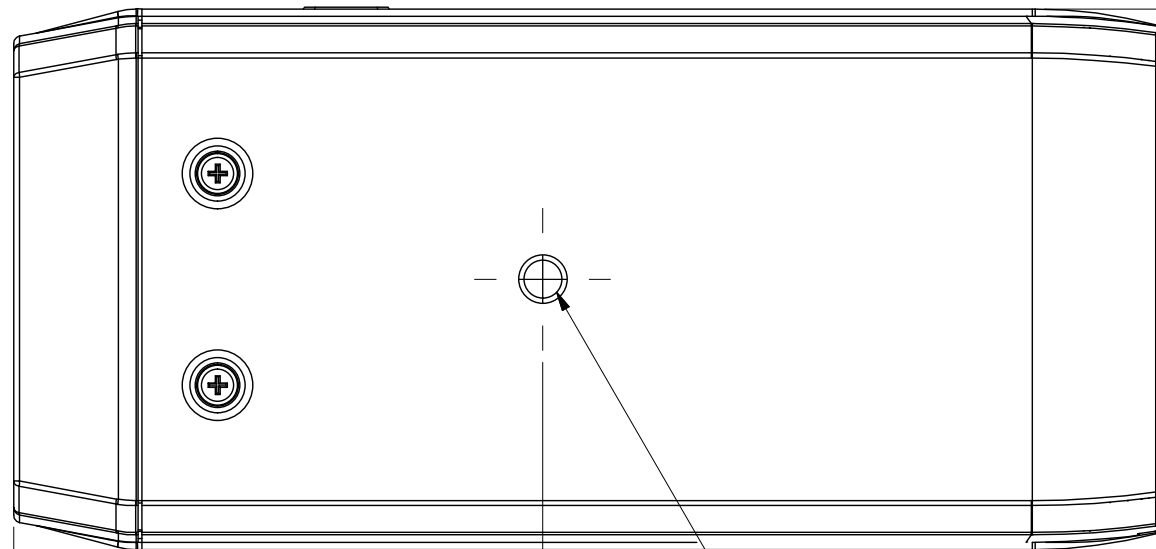
27.5 mm [1.08 in]



153.0 mm [6.02 in]



55.0 mm [2.17 in]



MOUNTING HOLE: 1/4-20 UNC (BOTH SIDES)

70.0 mm [2.76 in]

71.5 mm [2.82 in]

ENCLOSURE MATERIAL: DIE-CAST ALUMINUM			
FINISH: GRAY AND BLACK PAINT			
DRAWN S. COSSETTE	DATE (MM/DD/YYYY) 02/09/2012	TITLE CUSTOMER DRAWING; S5120BX-DN (1080p), S5250BX-DN (5MP), H.264 HD BODY CAMERA	
WEIGHT: 640 g [1.4 lb]		SCALE: 1:1	REV 001
DWG NO 18-453-0199		SHEET 1 OF 1	



PROPRIETARY AND CONFIDENTIAL THE INFORMATION CONTAINED IN THIS DRAWING IS THE SOLE PROPERTY OF VERINT VIDEO SYSTEM, INC. ANY REPRODUCTION IN PART OR AS A WHOLE WITHOUT THE WRITTEN PERMISSION OF VERINT VIDEO SOLUTIONS IS PROHIBITED.